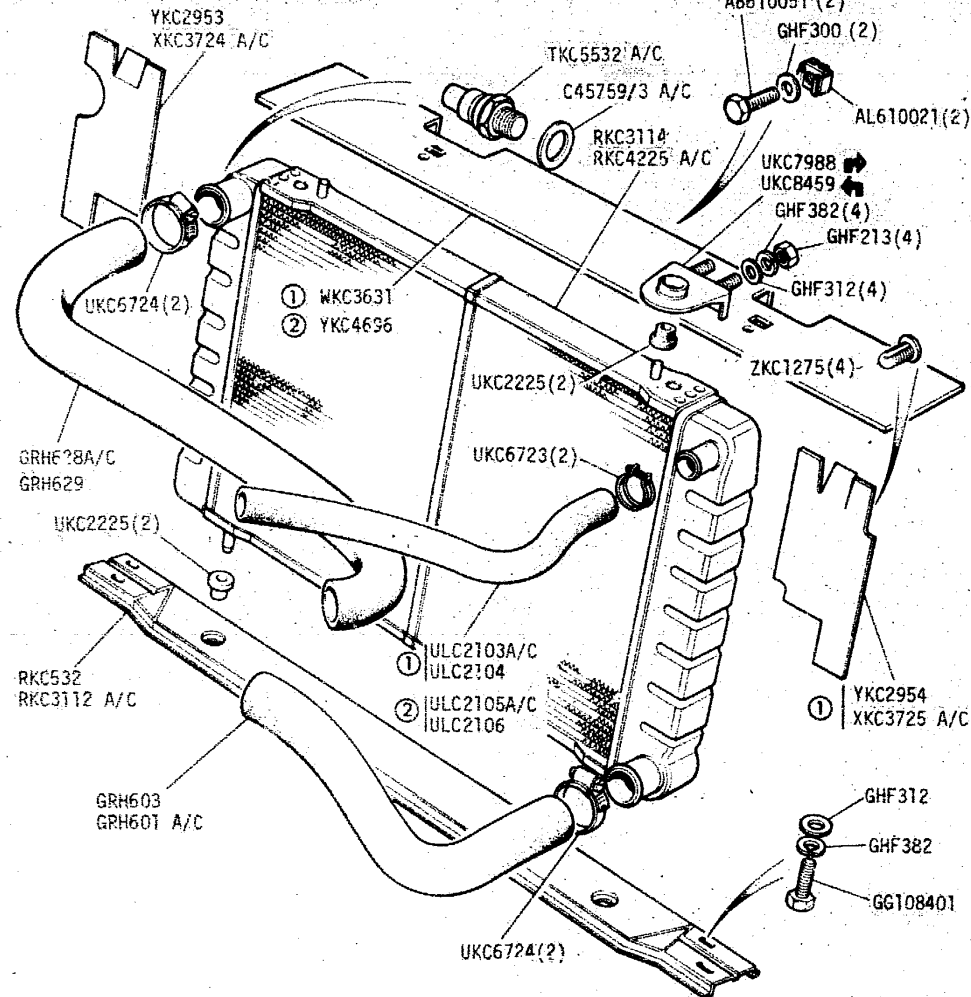


GROUP J
COOLING SYSTEM - Radiator & Hoses



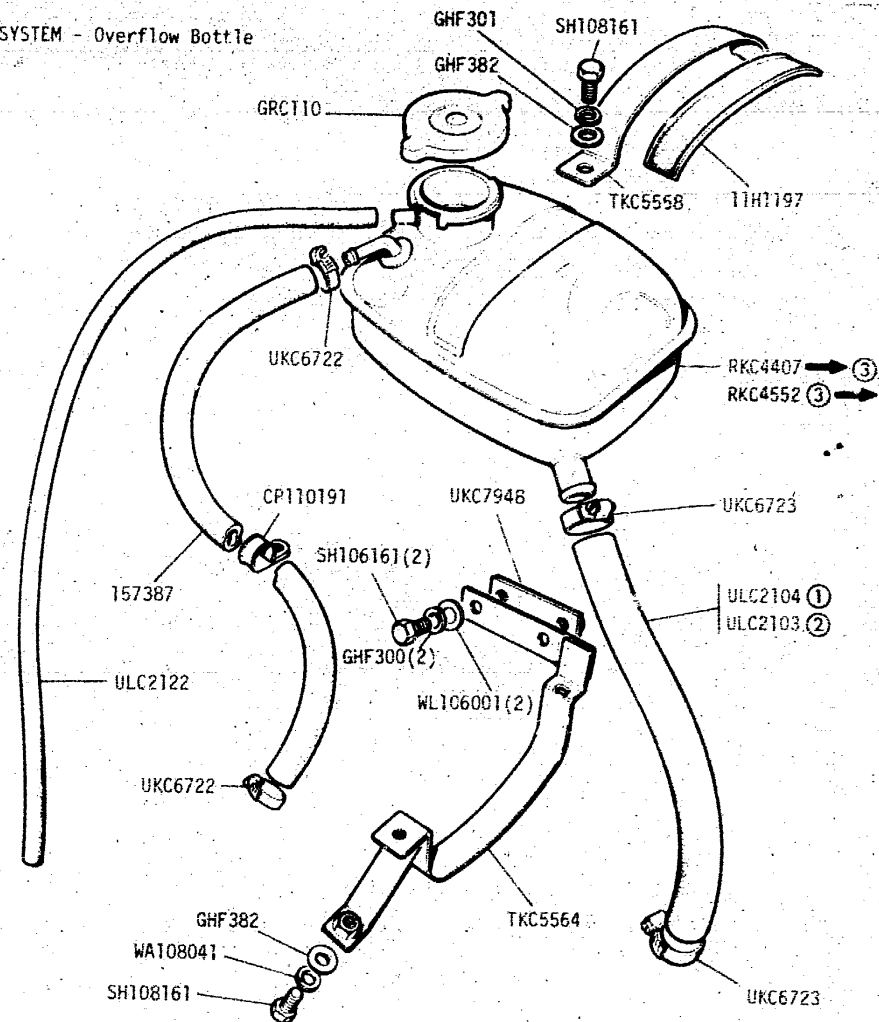
- | | | |
|-----------------------|---------------------------|-------------|
| UKC9430 Boss Radiator | AFC1087 (5) Clip | ① Carb only |
| UKC9601 'P' Clip | ULC2101 Sealing Strip | ② PI only |
| SH108161 (2) Setscrew | ULC2102 (2) Sealing Strip | |
| GHF382 (2) Lockwasher | BD542/9 (7) Washer | |
| WA108051 (2) Washer | GHF423 (7) Screw | |
| RKC4491 Air Dam | | |

TRP

1K 02L

B7059/1

GROUP J
COOLING SYSTEM - Overflow Bottle



- | |
|-------------------------|
| ① HEATER CARS |
| ② AIR CONDITIONING CARS |
| ③ VIN200001 |

TRB

1K 02R

VS1510

GROUP INDEX

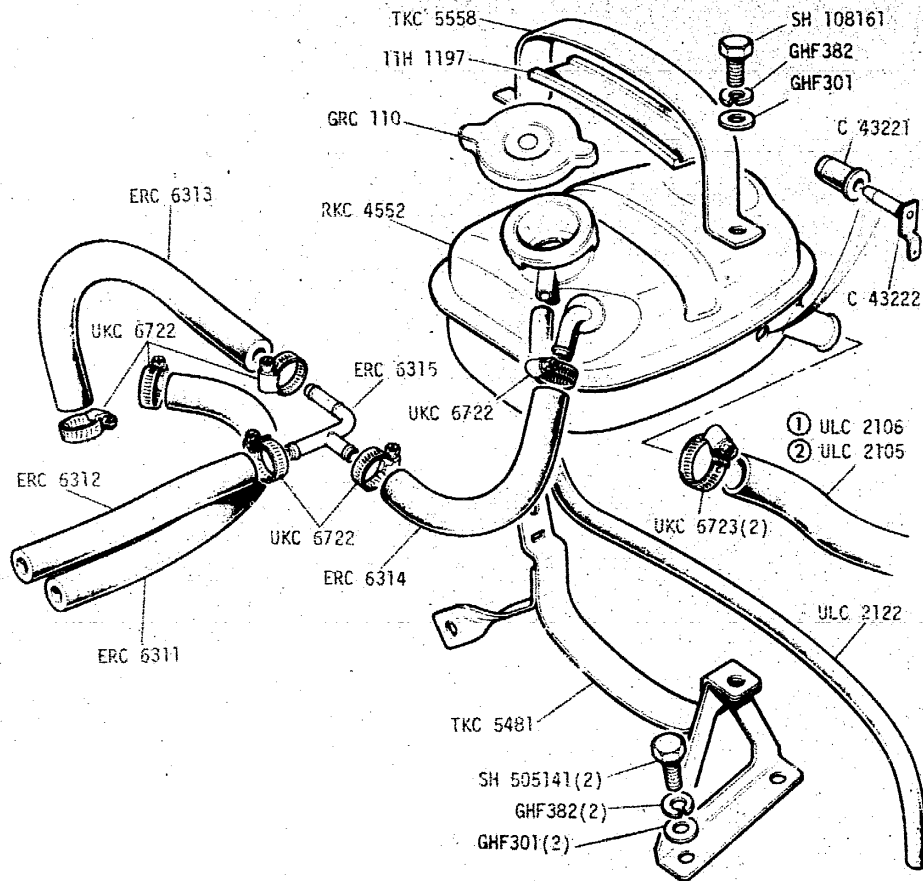
Introduction **1B 2B**
 Engine **1C**
 Flywheel and Clutch **1D**
 Gearbox and Propshaft **1E**
 Axles, Suspension, Drive Shafts, Wheels **1F**

Steering **1G**
 Brakes and Brake Controls **1H**
 Fuel, Exhaust and Emission Systems **1I - J**
 Cooling, Heating and Air Conditioning **1K**
 Electrical, Washers-Wipers, Instruments **1L - M**

Chassis, Subframes, Bodyshell, Fittings **2C**
 Fascia, Trim, Seats and Fixings **2D**
 Miscellaneous **2E**
 Numerical Index **2F**

1K02

GROUP J
COOLING SYSTEM - OVERFLOW BOTTLE P.I.



- ① HEATER CARS
- ② AIR CONDITIONING CARS

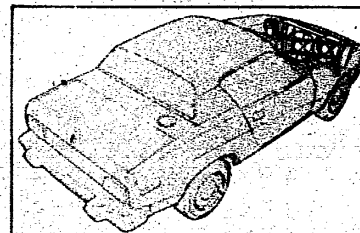
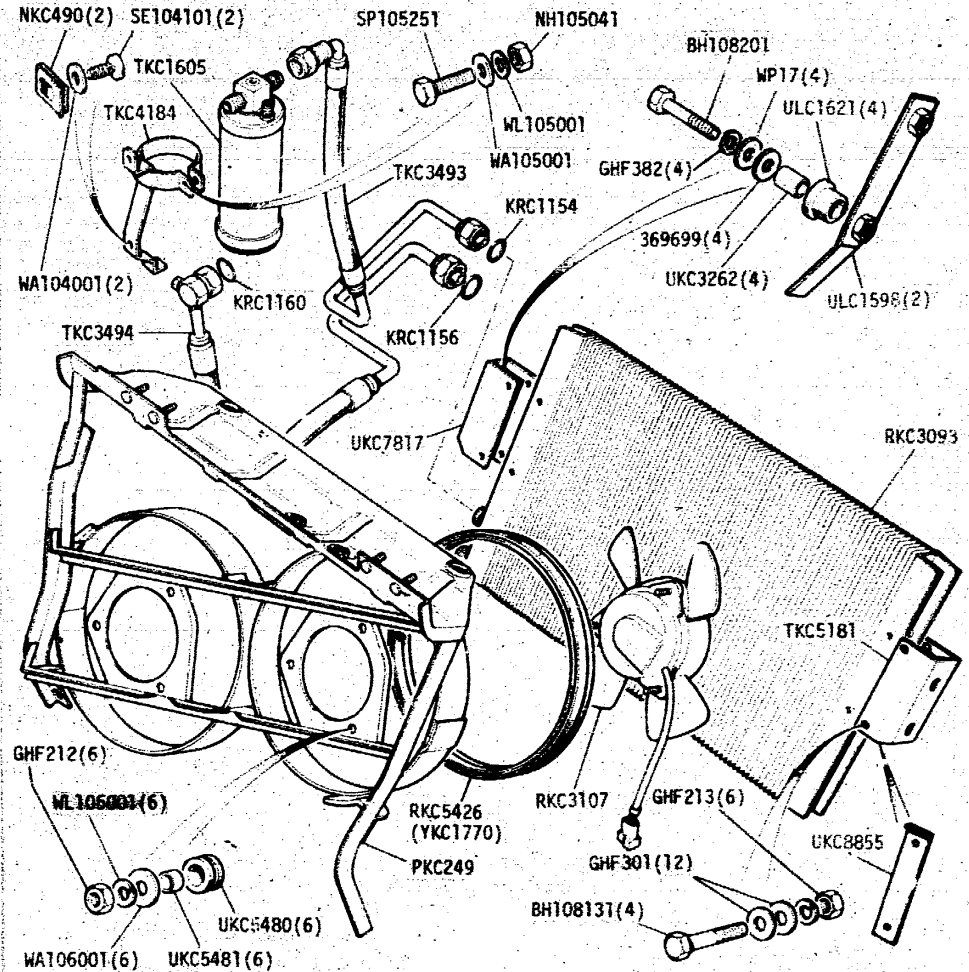
TR8 P.I.

TK 03L

VS1807

GROUP J

AIR CONDITIONING - Condenser, receiver dryer, fan, cowl and bracket assy, hoses



TR8

TK 03R

B7147/1

GROUP INDEX

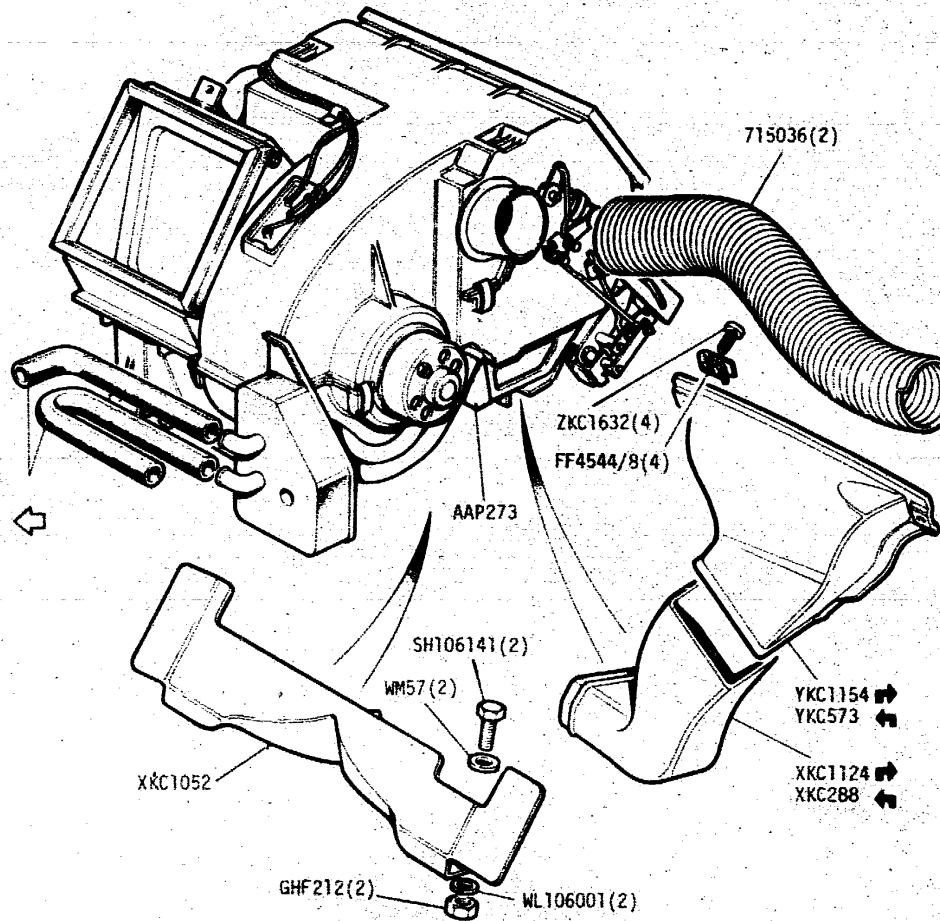
Introduction **1B 2B**
 Engine **1C**
 Flywheel and Clutch **1D**
 Gearbox and Propshaft **1E**
 Axles, Suspension, Drive Shafts, Wheels **1F**

Steering **1G**
 Brakes and Brake Controls **1H**
 Fuel, Exhaust and Emission Systems **1I - J**
 Cooling, Heating and Air Conditioning **1K**
 Electrical, Washers-Wipers, Instruments **1L-M**

Chassis, Subframes, Bodyshell, Fittings **2C**
 Fascia, Trim, Seats and Fixings **2D**
 Miscellaneous **2E**
 Numerical Index **2F**

1K03

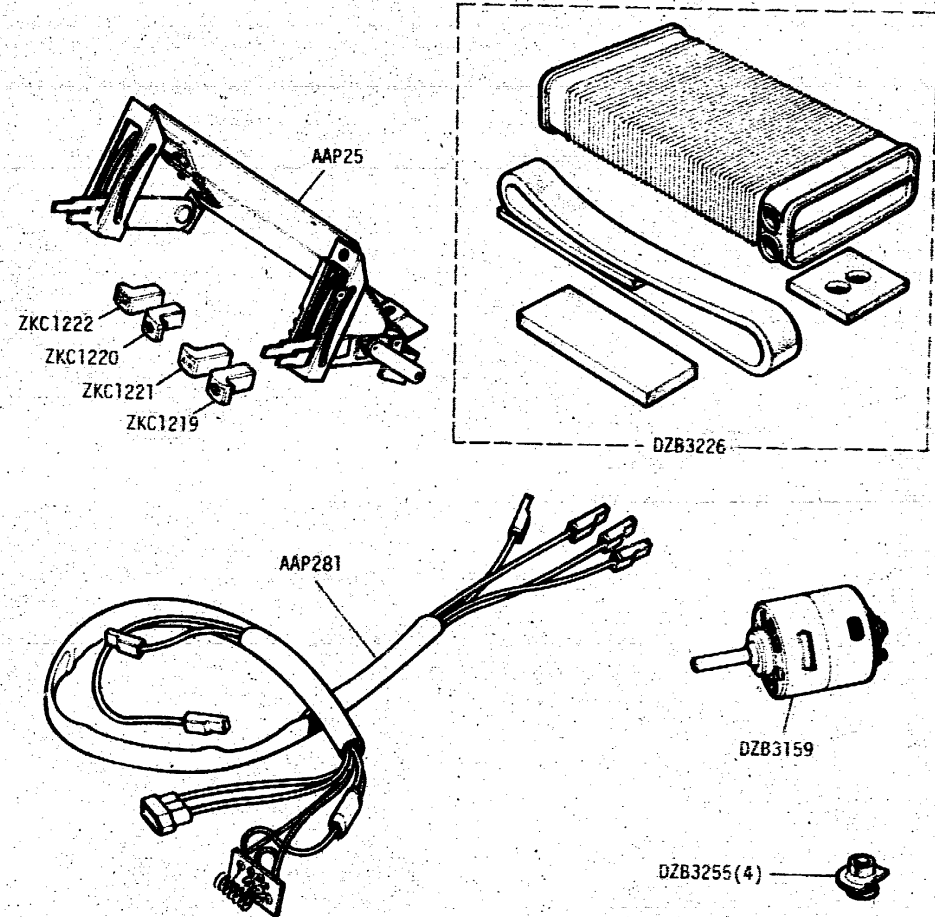
GROUP J
HEATING - Heater Unit, Demister Ducts



TR8

TK 05L

GROUP J
HEATING - Heater Motor, Controls



TR8

TK 05R

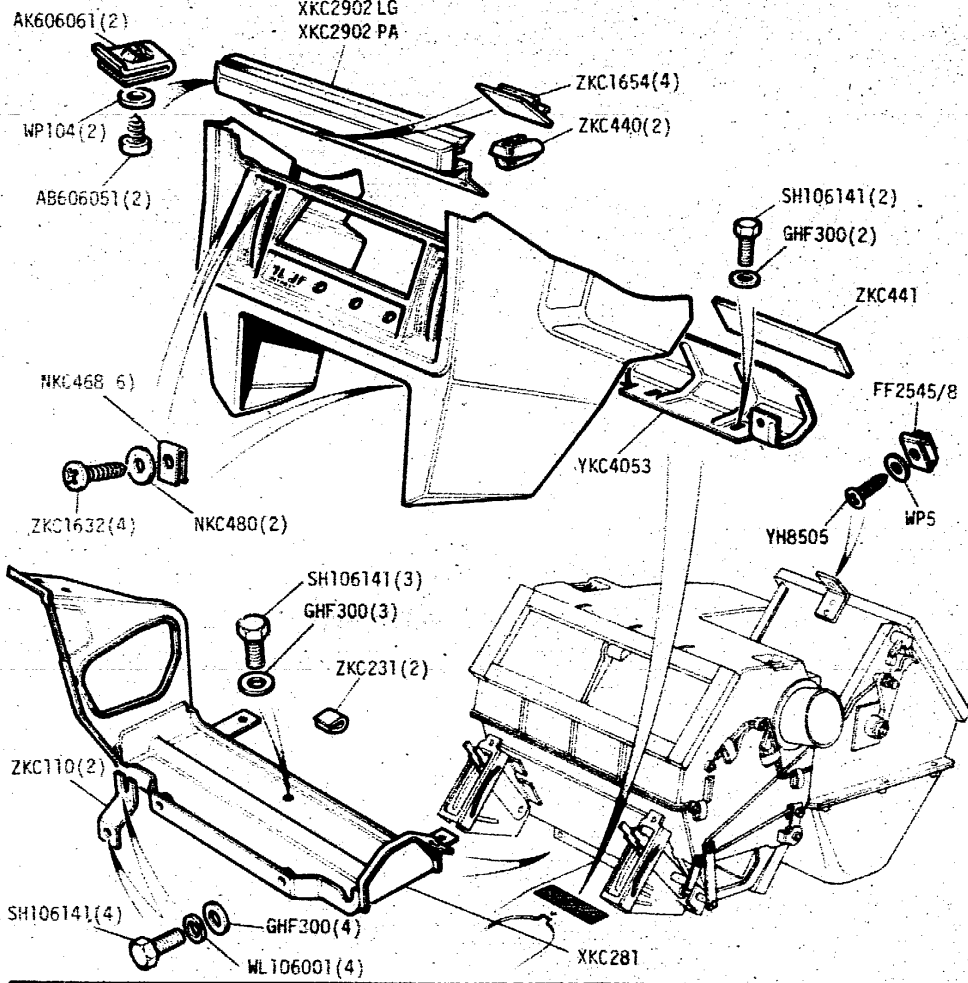
GROUP INDEX

Introduction	1B 2B	Steering	1G
Engine	1C	Brakes and Brake Controls	1H
Flywheel and Clutch	1D	Fuel, Exhaust and Emission Systems	1I - J
Gearbox and Propshaft	1E	Cooling, Heating and Air Conditioning	1K
Axles, Suspension, Drive Shafts, Wheels	1F	Electrical, Washers-Wipers, Instruments	1L - M

Chassis, Subframes, Bodyshell, Fittings	2C
Fascia, Trim, Seats and Fixings	2D
Miscellaneous	2E
Numerical Index	2F

1K05

GROUP J
HEATING - Heater Mounting.



Trim colour identification

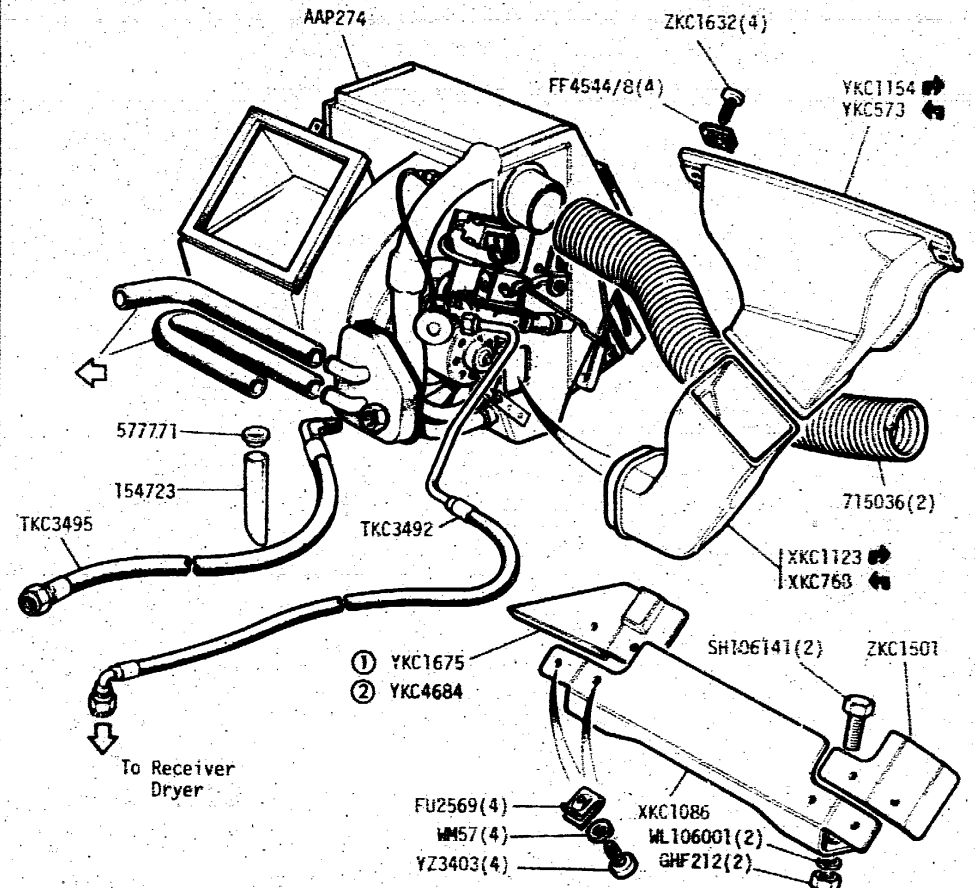
PA - Black
LG - Grey

TR8

TK 06L

B4467/2

GROUP J
AIR CONDITIONING - Air Conditioning Unit, Demister Ducts.



- ① Carb
- ② P.I.

TR8

TK 06R

B4468

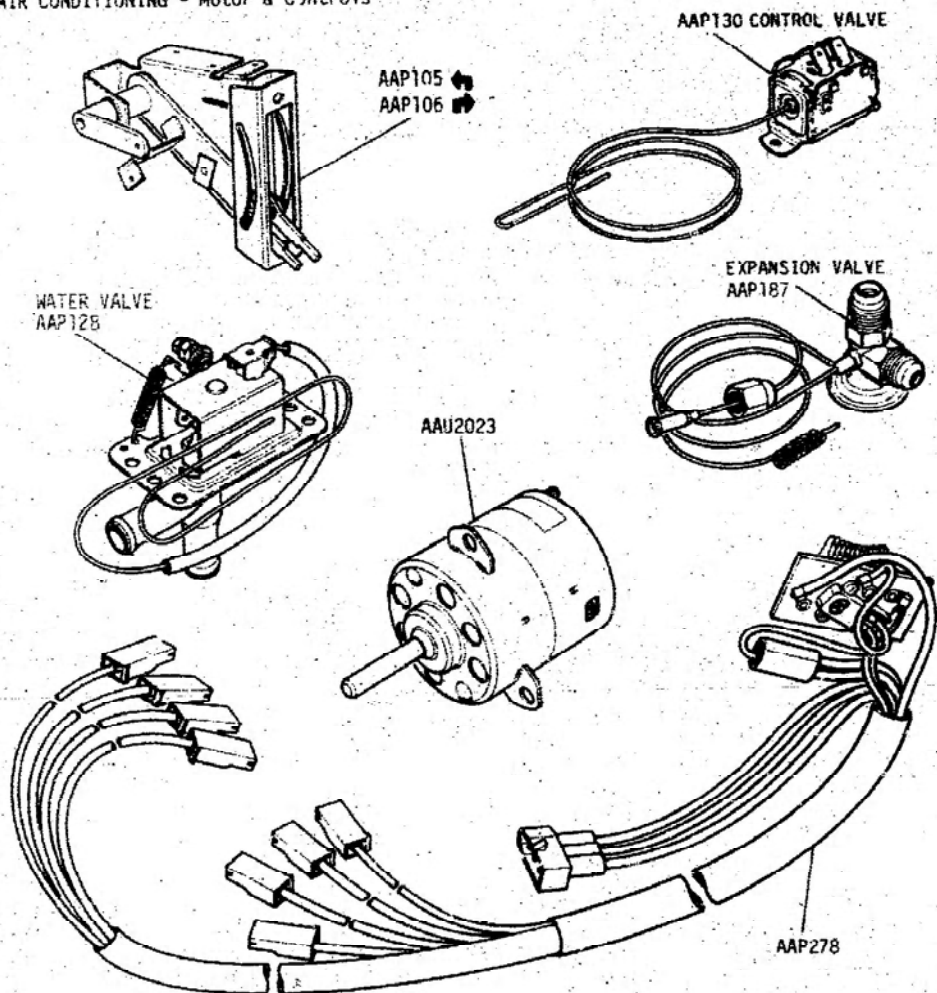
GROUP INDEX

Introduction	1B 2B	Steering	1G
Engine	1C	Brakes and Brake Controls	1H
Flywheel and Clutch	1D	Fuel, Exhaust and Emission Systems	1I - J
Gearbox and Propshaft	1E	Cooling, Heating and Air Conditioning	1K
Axles, Suspension, Drive Shafts, Wheels	1F	Electrical, Washers-Wipers, Instruments	1L - M

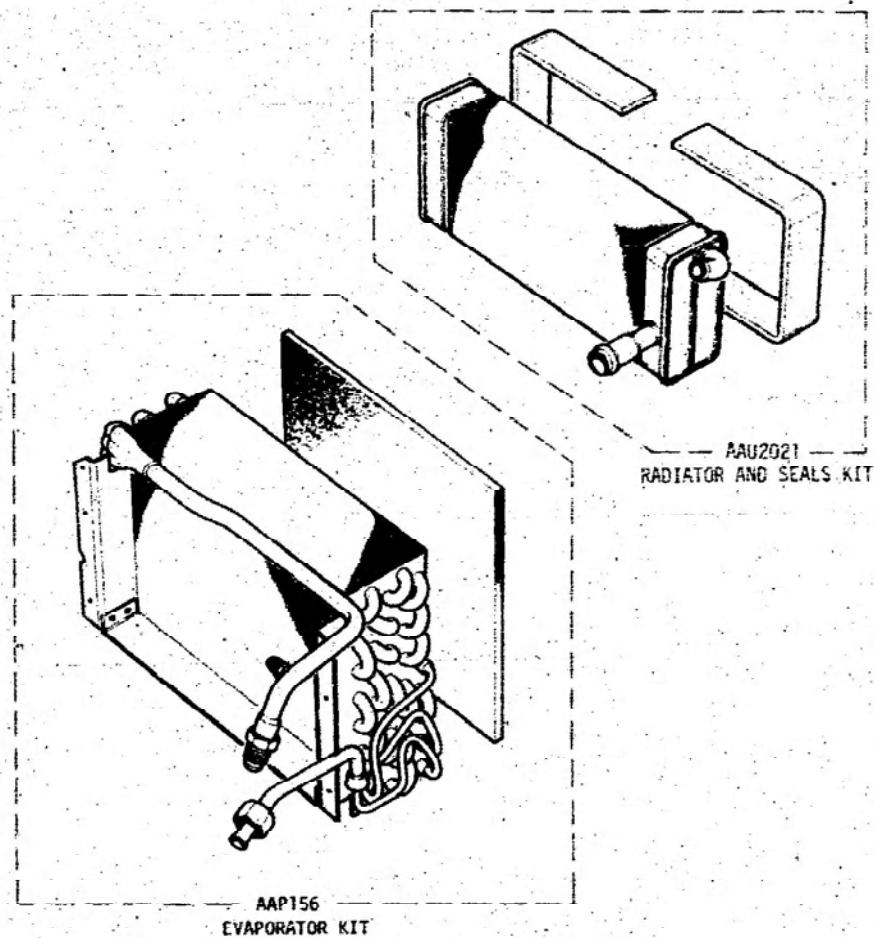
Chassis, Subframes, Bodyshell, Fittings	2C
Fascia, Trim, Seats and Fixings	2D
Miscellaneous	2E
Numerical Index	2F

1K06

GROUP J
AIR CONDITIONING - Motor & Controls



GROUP J
AIR CONDITIONING - Radiator & Evaporator Kits



TR8

1K 07L

VS1442

TR8

1K 07R

VS1364

GROUP INDEX

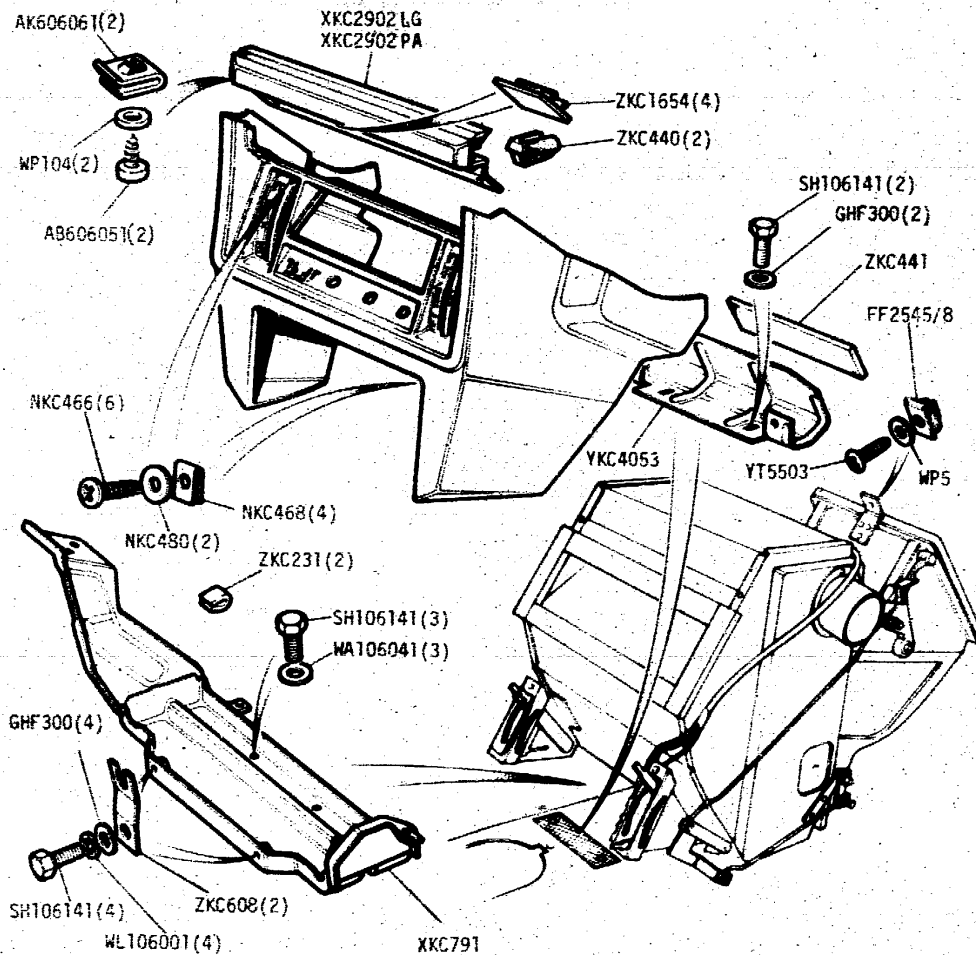
Introduction **1B 2B**
 Engine **1C**
 Flywheel and Clutch **1D**
 Gearbox and Propshaft **1E**
 Axles, Suspension, Drive Shafts, Wheels **1F**

Steering **1G**
 Brakes and Brake Controls **1H**
 Fuel, Exhaust and Emission Systems **1I - J**
 Cooling, Heating and Air Conditioning **1K**
 Electrical, Washers-Wipers, Instruments **1L - M**

Chassis, Subframes, Bodyshell, Fittings **2C**
 Fascia, Trim, Seats and Fittings **2D**
 Miscellaneous **2E**
 Numerical Index **2F**

1K07

GROUP J
AIR CONDITIONING - Air Conditioning Unit Mounting



BLANK

Trim colour identification

PA - Black
 LG - Grey

TR8

1K Q8L

84469/2

GROUP INDEX

Introduction **1B 2B**
 Engine **1C**
 Flywheel and Clutch **1D**
 Gearbox and Propshaft **1E**
 Axles, Suspension, Drive Shafts, Wheels **1F**

Steering **1G**
 Brakes and Brake Controls **1H**
 Fuel, Exhaust and Emission Systems **1I - J**
 Cooling, Heating and Air Conditioning **1K**
 Electrical, Washers-Wipers, Instruments **1L-M**

Chassis, Subframes, Bodysheet, Fittings **2C**
 Fascia, Trim, Seats and Fixings **2D**
 Miscellaneous **2E**
 Numerical Index **2F**

1K08